

L-200

Field Installation Manual

INDEX

Important Instructions.....	2
Product Specifications.....	3
Unpacking & Mounting	4
Connection Type 1	5 – 6
Connection Diagram	7
Connection Type 2	8
Connection Type 3	9
Electrical Data Sheet	10
Recommended Part List.....	11

L-200

IMPORTANT INSTRUCTIONS

ATTENTION: After completing the installation and testing, it is essential that this booklet is drawn to the attention of the person responsible for its future operation and maintenance and is available for ready reference all the time.

FAILURE TO READ AND FOLLOW ALL INSTRUCTIONS CAREFULLY BEFORE INSTALLATION & OPERATION WILL VOID WARRANTY OF L-200 AND COULD CAUSE SERIOUS PERSONAL INJURY, FIRE HAZARD & ELECTRIC SHOCK MAY LEAD TO DEATH.

CAUTION:

To prevent electrical shock and/or equipment damage, disconnect electric power to system at main fuse or circuit breaker box until installation is complete.

PRECAUTION:

Does not use on circuits exceeding specified voltage.

Do not short main terminals to test.

Electrical Installation and all components of the system shall conform to Class II circuits as per the NEC code.



WARNING

Manufactured component parts that can be used in a wide variety of industrial & commercial applications. The selection and application of products remains the responsibility of the equipment designer or end user. Manufactured accepts no responsibility for how its products may be incorporated into final design. Under no circumstances should any product be incorporated into any product or design as the exclusive or sole safety control, all controls should be designed to dynamically fault defect and fail safety under all circumstances. Any warning provided by Manufactured must be passed through to the end user. Manufactured offers a warranty only as to the quality of its product to conform to the catalog specifications. No other warranty is offered. Manufactured assumes no liability for any personal injury, property damage, losses or claims arising out of the misapplication and Non performance of its products.

L-200

PRODUCT SPECIFICATIONS



Model: L-200
Rated Voltage..... 600V AC
Phases..... 3
Rated Frequency..... 60Hz
Maximum Current each phase..... 192 Amp
Rated kVar 200
Maximum Ambient Temperature Rating..... 40°C
Max Humidity 95% (Non Condensing)
Pollution Degree..... 2

Terminals	Wire Size (mm)	Connection Type	Torque (N-m)
T1	2 x 1 AWG 600V	Circuit Breaker	31
T2	22 AWG 600V	Terminal Block (Current Sensor)	0.4
Bonding Wire	6 AWG	Earthing	15

L-200

UNPACKING

1. Un Pack the L-200 from cartoon box & safety wooden packing using Plastic Strip Cutter & Spanner of BSW-17.
2. Collect the Accessories as per the Packing Slip.
3. Remove any cardboard or thermocol packing inside the L-200 given for support during transportation.
4. Do not use L-200 in case of any Breakage or loose connections or Oil Spill inside.

MOUNTING

CAUTION: - Indoor Use Only, Type-1 Enclosure.

1. Choose the dry and Clean Wall to Install the L-200 taking care conduit connections from Top Right
Panel Size is 800 x 1000* x 300 mm and weight 212 Kg.
2. Premark the Mounting holes on wall or structure.
3. Make a Drill of for the wall plugs.
4. Fix the Panel on wall plugs.
5. Tighten the wall plugs.

*Height with feet 1100 mm

L-200

Field Installation Manual

Connection Type # 1

Use this instruction

If 400 Amp circuit breaker is available in customer sub panel.

L-200 unit is designed for use with Customer Sub Panel-operating at 600V AC Connection, Up to 2000 Amp.

Power Connections

1. Remove Sub Panel cover exposing internal wiring and breakers. (Check Figure- 2)
2. Locate earth ground connection to panel grounding bar/or to earth ground terminal. Connect earth cable to customer sub panel earth ground rod. Use existing power cable connector for grounding cable. Ensure all mechanical connections are secure and making full contact.
3. Locate existing 3- ϕ , 400Amp circuit Breaker.
 - A. Connect the Phase L1 from 400 Amp Breaker to Workbox.
 - B. Connect the Phase L2 from 400 Amp Breaker to Workbox.
 - C. Connect the Phase L3 from 400 Amp Breaker to Workbox.
4. Qualified Representative must inspect size of cable 2 x 1 AWG from Customer Sub Panel L1, L2, and L3 to 400 Amp Breakers.
5. Connect power cables to load breaker switch of L-200 as per items 1, 2, 3 above.

Current Sensor Connections

1. Install the one split core sensor on the line side of Customer Sub Panel L3 Phase.
2. Locate current sensor terminal block T2 (S1, S2).
3. Qualified Representative line side of Sub Panel connect to 22 AWG Cable size of external current sensors.
4. Connect Junction Box to existing 1/2" conduit.
5. Firmly secure current sensor to line side (L3) of main circuit breaker in sub panel or the main feeds if no main breaker existing.

Current sensor 0.333V should be UL approved only.

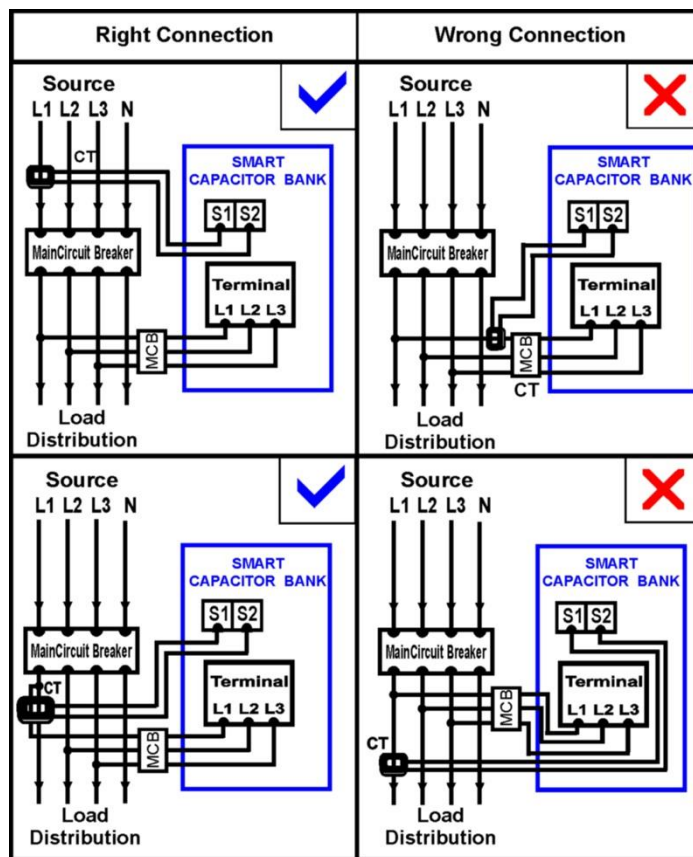


Figure-1

NOTE

All cables are attached to L-200 unit install cables as per local codes and utilize approved IEEE standards.

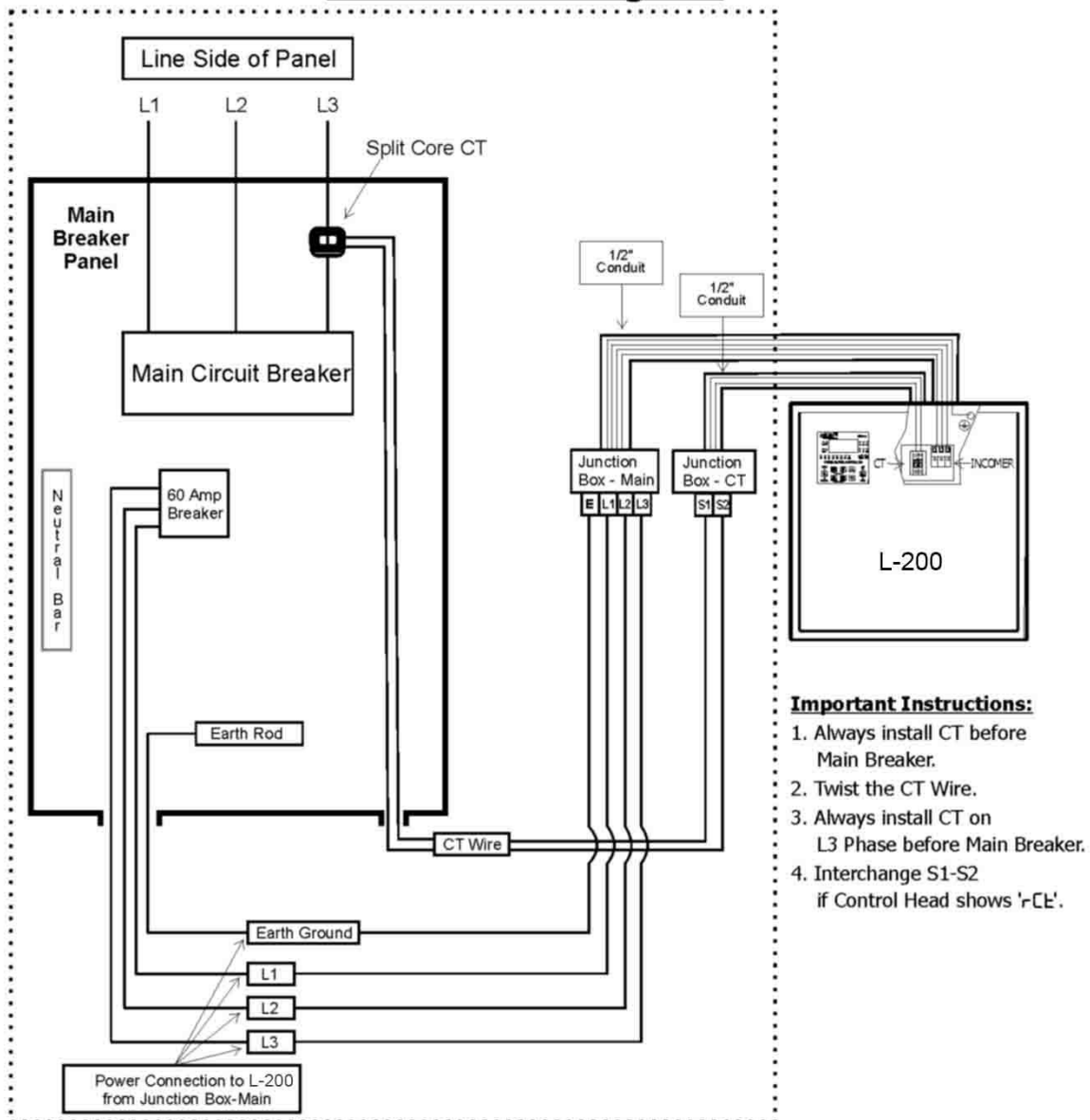
Earth ground to be connected for L-200 ground cable to Sub Panel earth ground rod.
All external connections and additional work must be performed by qualified representative in according to state and local codes.

All material used must confirm to the NEC and meet all applicable.

L-200

Field Installation Manual

Connection Diagram



Important Instructions:

1. Always install CT before Main Breaker.
2. Twist the CT Wire.
3. Always install CT on L3 Phase before Main Breaker.
4. Interchange S1-S2 if Control Head shows 'r-CT'.

Note:

- ☐ All Components used for installation must be UL listed or UL recognized.
- ☐ Earth Terminal in L-200 must be connected to Panel earth rod.
- ☐ All external connections and additional work must be performed by qualified representative in accordance with NEC.
- ☐ Failure to comply will void warranty.

Figure-1

L-200

Field Installation Manual

Connection Type#2

Use these instructions

If 400 Amp circuit breaker is unavailable, existing blanks are available.

L-200 unit is designed for use with Customer Sub Panel-operating at 600 VAC Connection, Up to 2000 Amp.

L-200 units should be mounted with four appropriate sized fasteners before connector to customer Sub Panel.

1. Remove Sub Panel covers exposing internal wiring and breakers. (Check Figure-2)
2. Remove existing 3- ϕ breaker blanks and install new 3- ϕ 200 Amp circuit Breakers.
 - A. Connect the Phase L1 from 400 Amp Breaker to Workbox.
 - B. Connect the Phase L2 from 400 Amp Breaker to Workbox.
 - C. Connect the Phase L3 from 400 Amp Breaker to Workbox.
 - D. Connect to Customer Sub Panel Ground bar or Grounding Rod.
3. For rest of connection follow the Connection type#1 on page 5.

NOTE

All cables are attached to L-200 unit install cables as per local codes and utilize approved IEEE standards and UL Certified components

Earth ground to be connected for L-200 ground cable to Sub Panel earth ground rod.

All external connections and additional work must be performed by qualified representative in according to state and local codes.

All material used must confirm to the NEC and meet all applicable UL Certified.

Failure to comply will void warranty.

L-200

Field Installation Manual

Connection Type#3

Use this instruction

If 400 Amp circuit breaker is unavailable and require a new disconnect switch or other approved device.

Customer Sub Panel- 600 VAC Connections, Up to 2000 Amp.

Representative must purchase 3- ϕ , 400 Amp Blade-Fused Disconnect Switch or 400Amp Circuit Breaker for connection of L-200 to Customer Sub Panel.

1. Install new 3- ϕ , 400 Amp Blade-Fused or Circuit Breaker external disconnect switch to wall or existing backboard. Qualified Representative should note if codes allow for direct connection to bus bars in sub panel or requires installation of an additional sub panel.
2. Wire in rigid conduit or equal between customer's sub panels, external disconnect switch and junction box. Connect to L-200 using conduit or equivalent.
3. Locate earth ground connection to panel grounding bar or to earth ground rod.
4. Locate power cable. When installing the power cable do not use sensor connectors. Uses knock out at different location.
5. Connect ground earth cable from L-200 unit to Customer Sub Panel earth ground rod. Use existing power cable connectors for grounding cable. Ensure all mechanical connector secure and making full contact.
6. For rest of connection follow the Connection type#1 on page 5.

NOTE

All cables are attached to L-200 unit install cables as per local codes and utilize approved IEEE standards and UL Certified components.

Earth ground to be connected for L-200 ground cable to Sub Panel earth ground rod.

All external connections and additional work must be performed by qualified representative in according to state and local codes.

All material used must confirm to the NEC and meet all applicable UL Certified.

Failure to comply will void warranty.

L-200

Field Installation Manual

Model	L-200
Phase Configuration	600V AC 3Phase
Maximum Line Voltage	600V AC
Rating	200 kVar
Monitoring	PF,kVA , kVar, I,V & KW
Accuracy	9.1 kVar
Frequency	60Hz
Protection	3 Pole Circuit Breaker, Capacitor Inbuilt Protection P2
Lighting Strike	Circuit design with clearance and creep age distance/MOVs adequate MOVs not required.
Circuit breaker Required	400 Amp
Low Losses	0.5 Watt per kVar
Dissipation Factor	0.1% at 60 Hz and 25 ⁰ C
Human Protection	All High voltage shielded from contact.
Operating temperature range	50 ⁰ C Ambient
Max. Humidity	95% (Non Condensing)
Dimensions(L X H X D)	32" X 40" X 12" Metal Enclosure
Operating Life	Switching tested up to 90,000 times
Wire Gauge & Rating	2 x 1 AWG, 600V
Unit Weight	212 Kg

L-200

Field Installation Manual

Recommended Parts List

	Qty.	Make	Part No.
1. Watertight connector with seal –tight between sub panel and L-200 with work box.	1		
2. Watertight connector and appropriate junction box with seal –tight between sub panel and L-200.	1		
3. Wire ties or approved straps for installation current sensor.	---		
4. Current Sensor split core 2000 Amp/0.333V AC.	1		
5. 6 AWG Stranded copper ground cable.	---		
6. Fasteners screw for wall mounting	4		
7. Three pole 400 Amp Breaker or Disconnect Switch for Type 2 & Type 3	1		

All the recommended parts supplied by qualified representative. Company can provide the parts against order.

NOTE

1. Installation of materials and workmanship at the customer's sub panel shall be the responsibility of the qualified Representative in accordance with all state and local codes. Any and all connections exterior to the L-200 unit shall be the responsibility of the qualified representative.
2. **One current sensor for connection only to energy usage monitoring current transformers.**

